

**ATTENTION!
REMOVE FILM PRIOR TO FITTING**

- Please note prior to fitting your Trojan Bath carefully remove all the packaging and film from the bath and examine the bath for damage and suitability of colour match
- Check the panel fit and match prior to installation

No Claims for the above will be accepted once the bath is fitted

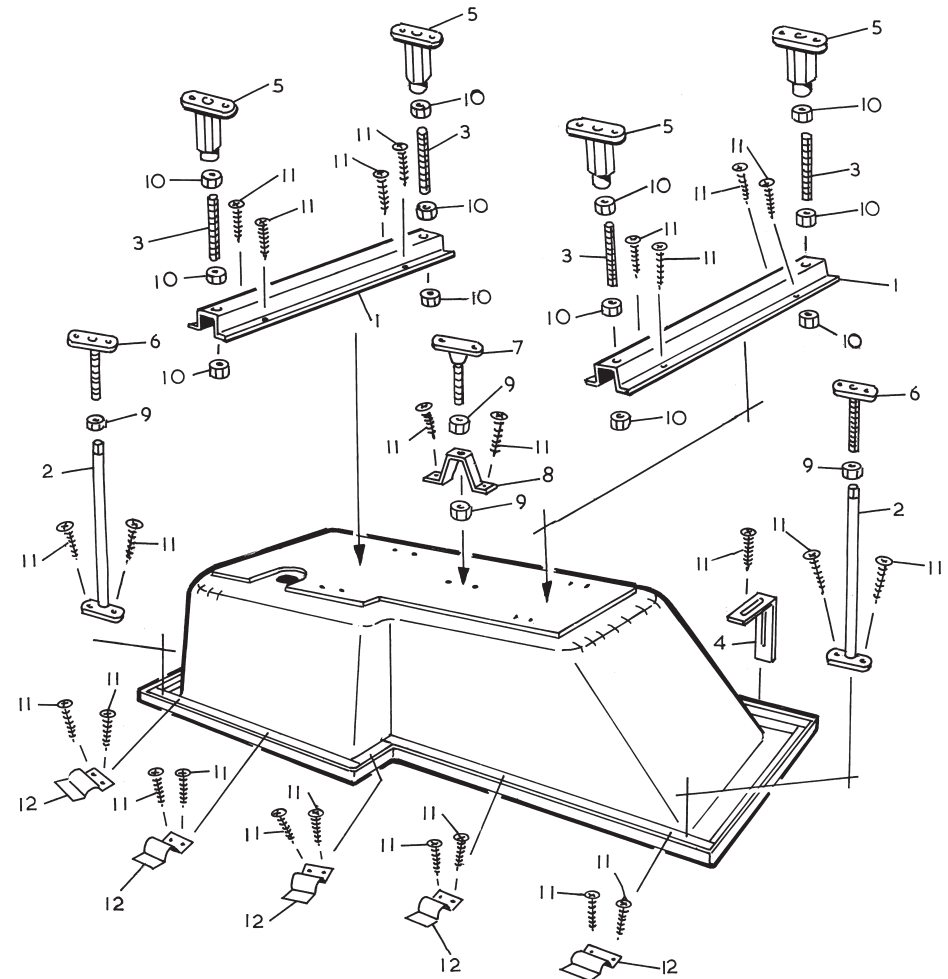
List of Parts Supplied:

Item No.	Quantity	Description	Checked
1	2	500mm Channels	
2	2	350mm Jack Legs	
3	4	120mm allthreads	
4	2	Wall Fixing Brackets	
5	4	M12 x 65mm Plastic Foot	
6	2	M10 x 200 Metal Feet	
7	1	M10 x 90mm Centre Foot	
8	1	Centre Foot Bracket	
9	4	M10 Nuts	
10	12	M12 Nuts	
11	36	9mm (5/8) Self Tapping Screws	
12	10	Metal Panel Clips	
13	1	Fitting Instructions	

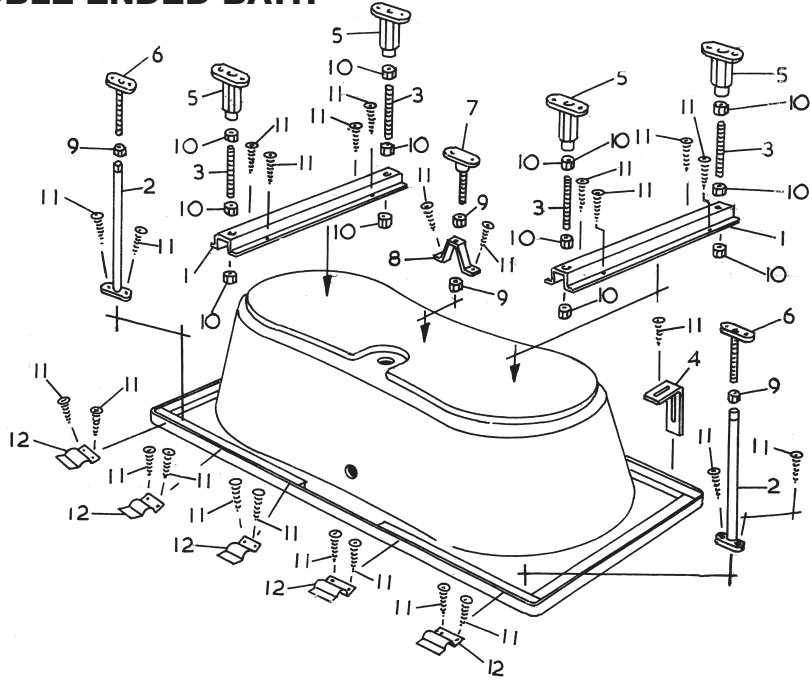
Please Note:

- Baths should be set at supplied panel height.
- The 18mm baseboard is encapsulated on all baths listed above (i.e. under the GRP reinforcement).
- Half of the panel clips supplied should be secured (if possible) to the floor.

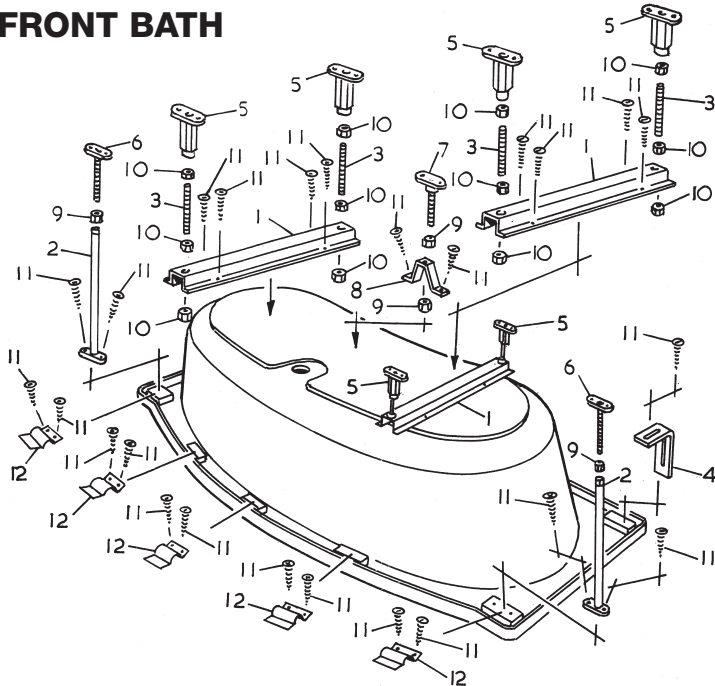
SHOWER BATH



DOUBLE ENDED BATH



BOWFRONT BATH



**QUALITY ACRYLIC BATHS
MANUFACTURED IN ENGLAND**

BATH FIXING INSTRUCTIONS

for

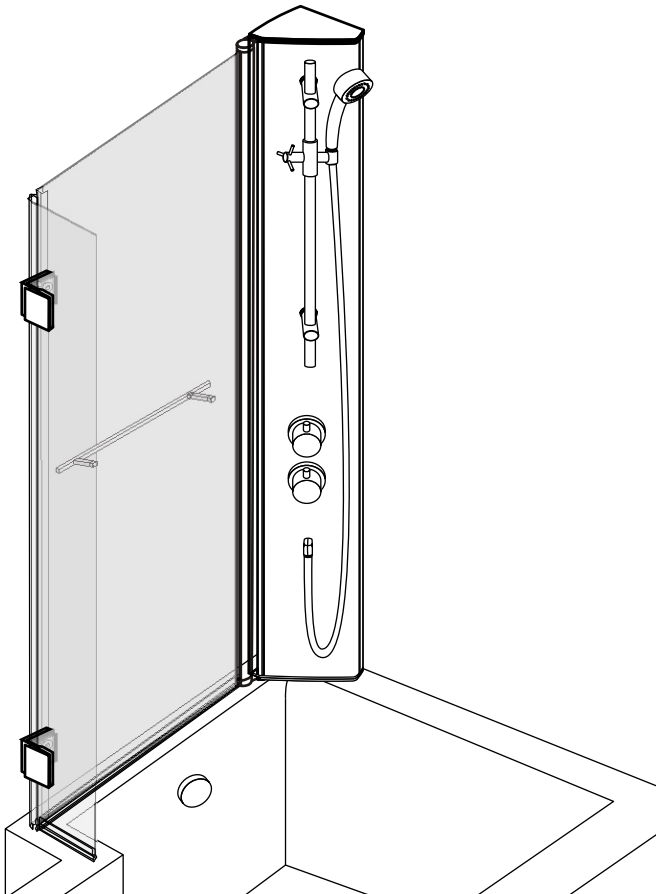
LUXURY & SHAPED BATHS

PLEASE NOTE

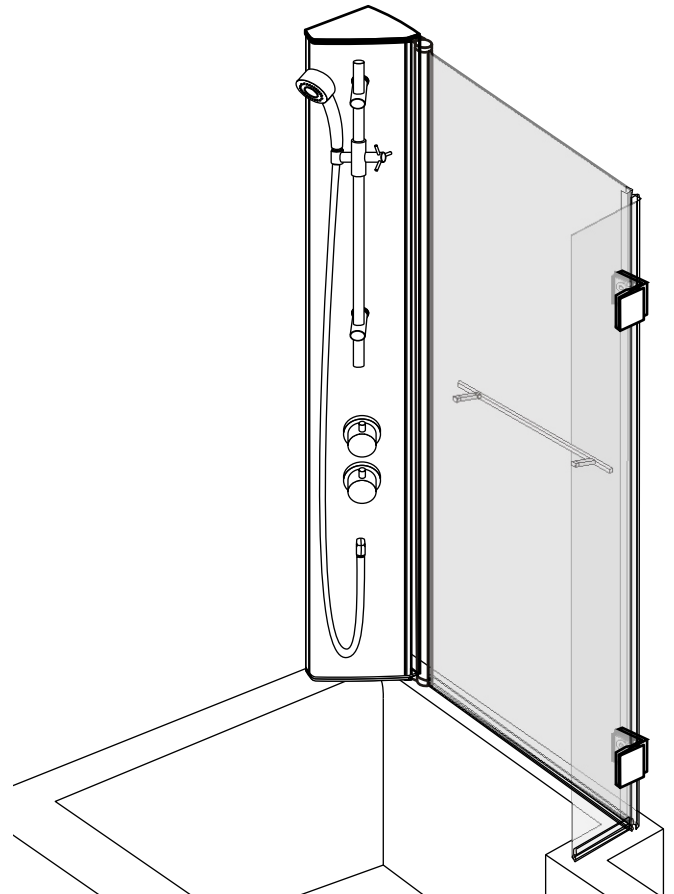
- Before fixing any bath or panel - remove ALL protective covering and examine carefully. The polythene film must be removed in full and the bath checked for any visible damage.
- Check that colour match is acceptable to sanitaryware and panel.

Any refixing costs or claims for wrong colour match, and/or any other faults will not be accepted - **AFTER FIXING**

Assembly Instructions
SHOWER COLUMN AND L SHAPED BATH SCREEN



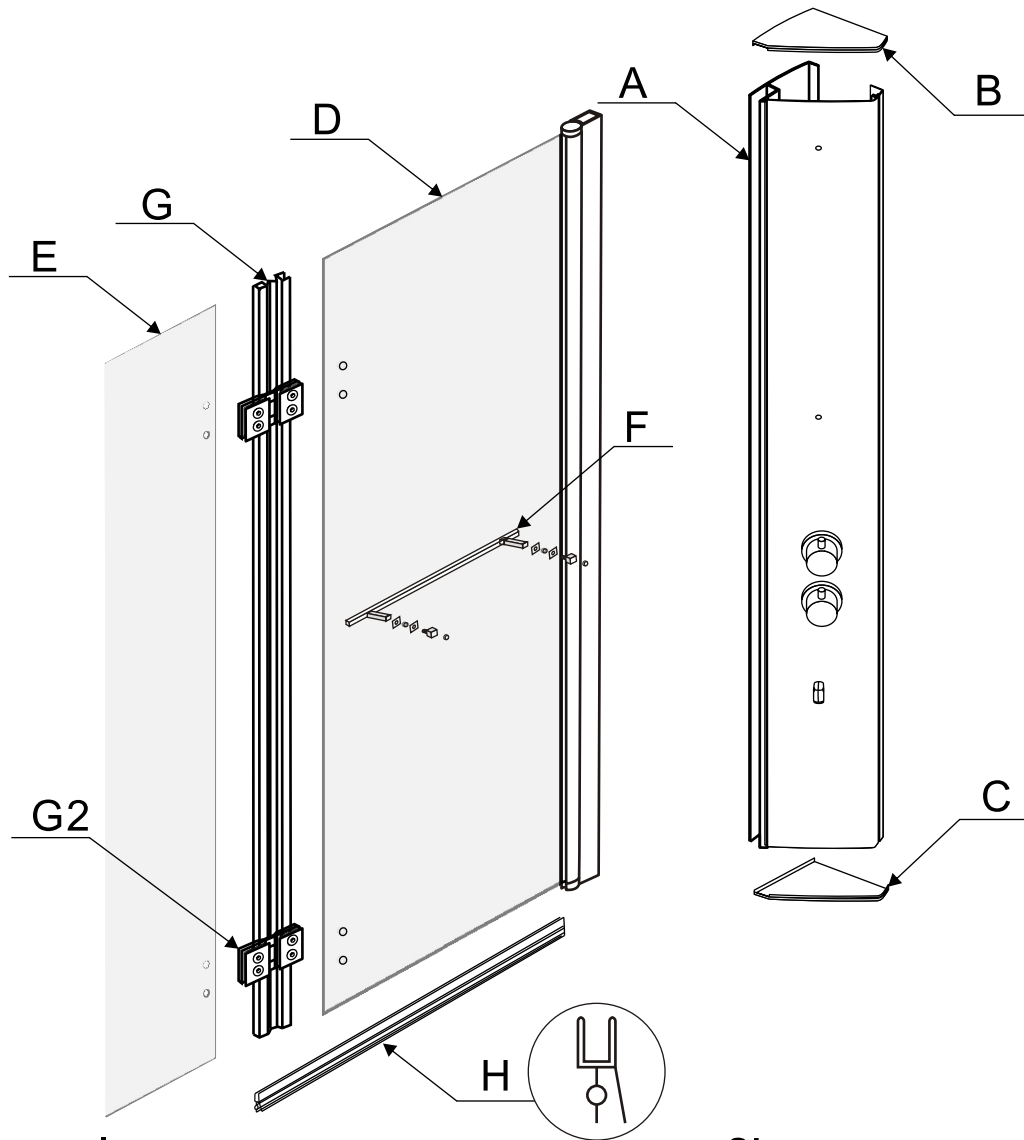
Left-handed



Right-handed

Assembly Instructions

SHOWER COLUMN AND L SHAPED BATH SCREEN



Shower column

Ref	Description	Illustration	Qty
A	SHOWER COLUMN		1
B	TOP COVER		1
C	BOTTOM COVER		1
A2	WALL PLUG		10
B2	SCREW: 4x25mm		10
C2	DRILL BIT 3mm		1
D2	RISER RAIL		1
E2	SHOWER HANDSET		1
F2	SCREW CAP		3

Shower screen

Ref	Description	Illustration	Qty
D	SHOWER SCREEN		1
E	SMALL GLASS		1
F	HANDLE		1
G	VERTICAL SEAL		1
H	HORIZONTAL SPLASH SEAL		1
G2	HINGE		2
H2	SCREW: 4x10mm		4
I2	HEX KEY 3mm		1

Note: the shower column and shower screen are supplied in separate boxes. It may be necessary to purchase both the shower screen and the shower column separately.

Assembly Instructions

SHOWER COLUMN AND L SHAPED BATH SCREEN

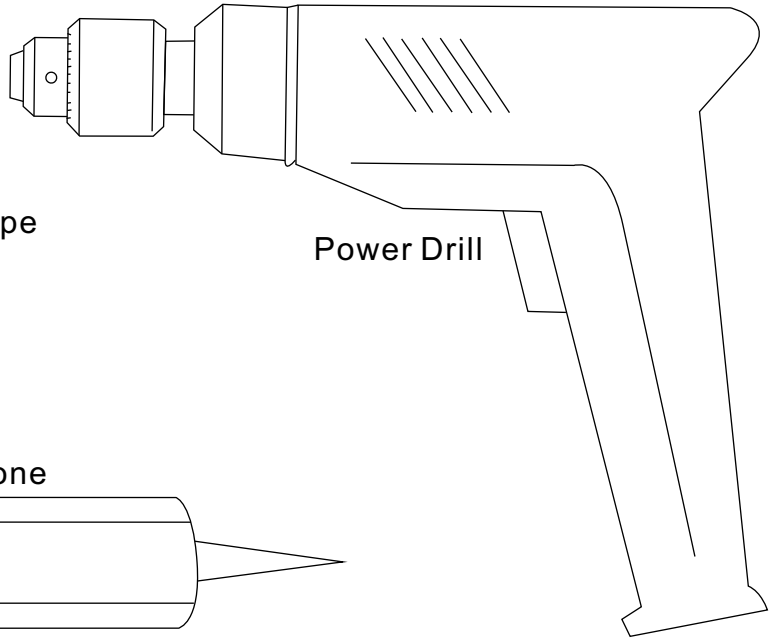
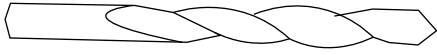
Before you start

- WARNING:** Please read these instructions through carefully before you start the installation. Incorrect product installation may result in serious product failure in use. Always follow the instructions and retain them for future use.
- The screen is designed to allow for 25mm adjustment when fitted to "out of true walls".
- Check the pack and ensure that you have all of the parts listed above. If not, contact Customer Services (UK only) at d2m@pjhgroup.com
- When you are ready to start, make sure you have the right tools to hand, plenty of space and a clean dry area for assembly.
- Two people are required for assembly. Please note that although these instructions are comprehensive, it is always recommended that a technically competent installer should undertake installation.
- Ensure that the enclosure is fitted to a level bath and vertical wall.
- Please note:** The wall plugs included with this product are suitable for solid walls only. Plasterboard or stud walls may require specialized fixings which are not provided. (Always ensure that the wall plugs or fittings are correct for the wall type.)
- Caution:** Care should be taken when drilling into walls to avoid hidden pipes or electrical cables.
- When working near a tray or bath, ensure that the waste is covered so that small parts do not fall down it.
- Caution:** Please handle all glass with care. Any damage to the edges, or scratches to the surface that occur during assembly or normal use can cause the glass to break suddenly. Tempered glass will shatter into very small pieces that will still have sharp edges.
- Caution:** Fragile-handle the product with care. This product may cause personal injury, property damage or break easily if not handled, positioned and installed with care.
- Caution:** Always ensure the product is securely installed before use.
- Operating Pressure:** Minimum working pressure 1 bar. Recommended operating pressure 3 bar. Maximum working pressure 5 bar
- Due to the possibility of residual spray, the area around the outside of the bath should be tiled, or made otherwise water resistant.
- Please note: the shower head may over-run for up to 30 seconds after the valve is switched off while it clears any excess water inside

Assembly Instructions
SHOWER COLUMN AND L SHAPED BATH SCREEN

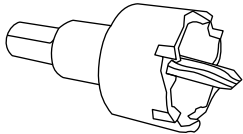
TOOLS REQUIRED(NOT SUPPLIED)

Drill Bit to suit wall type
5.5mm

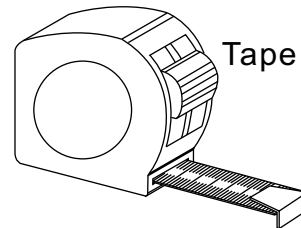
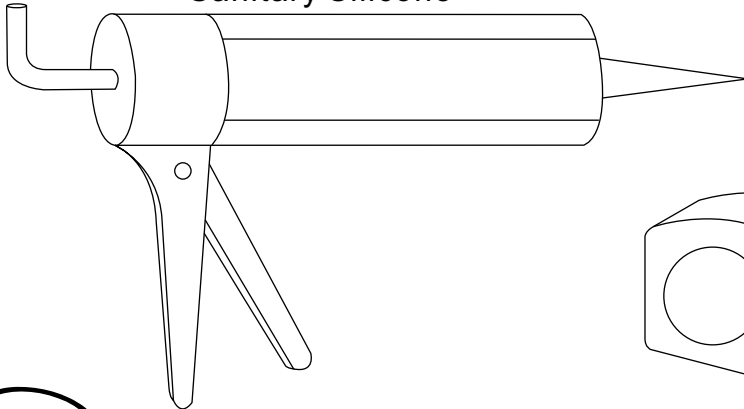


Power Drill

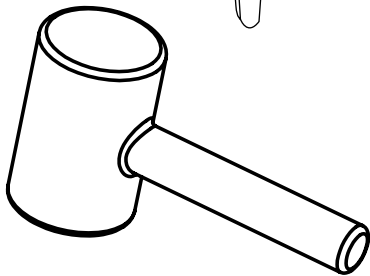
Good quality hole saw to suit wall type
30mm



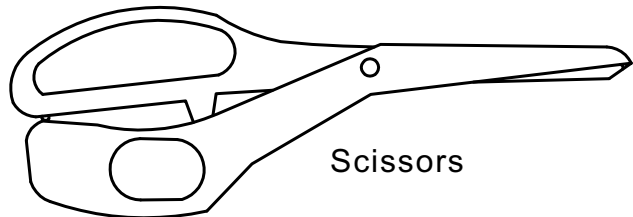
Sanitary Silicone



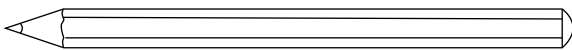
Tape Measure



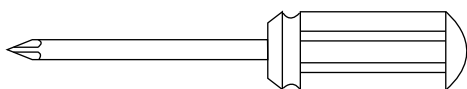
Rubber Mallet



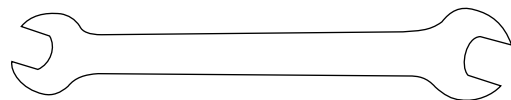
Scissors



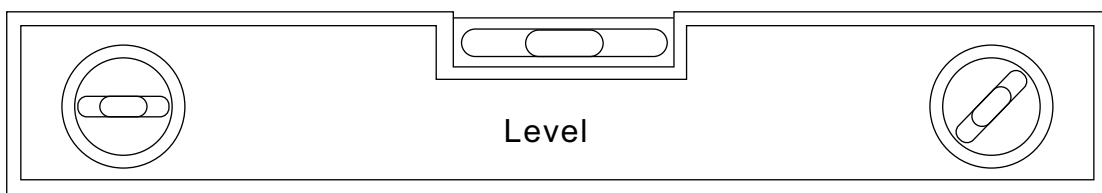
Pencil



Magnetic Crosshead Screwdriver



8mm & 10mm spanners
or adjustable spanner



Level

Assembly Instructions

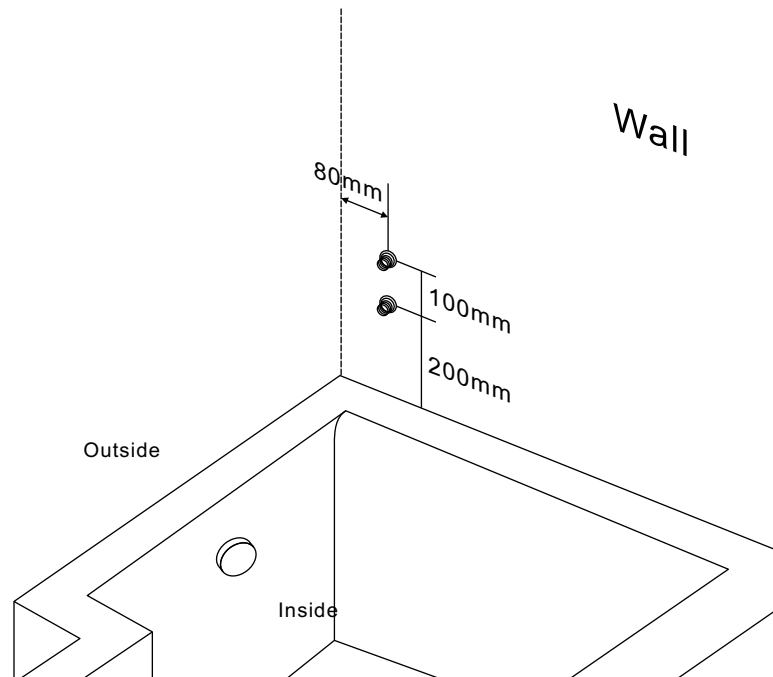
SHOWER COLUMN AND L SHAPED BATH SCREEN

Assembly

Option 1:

Water feeds through the wall

Prepare the water feeds according to the diagram below



Option 2:

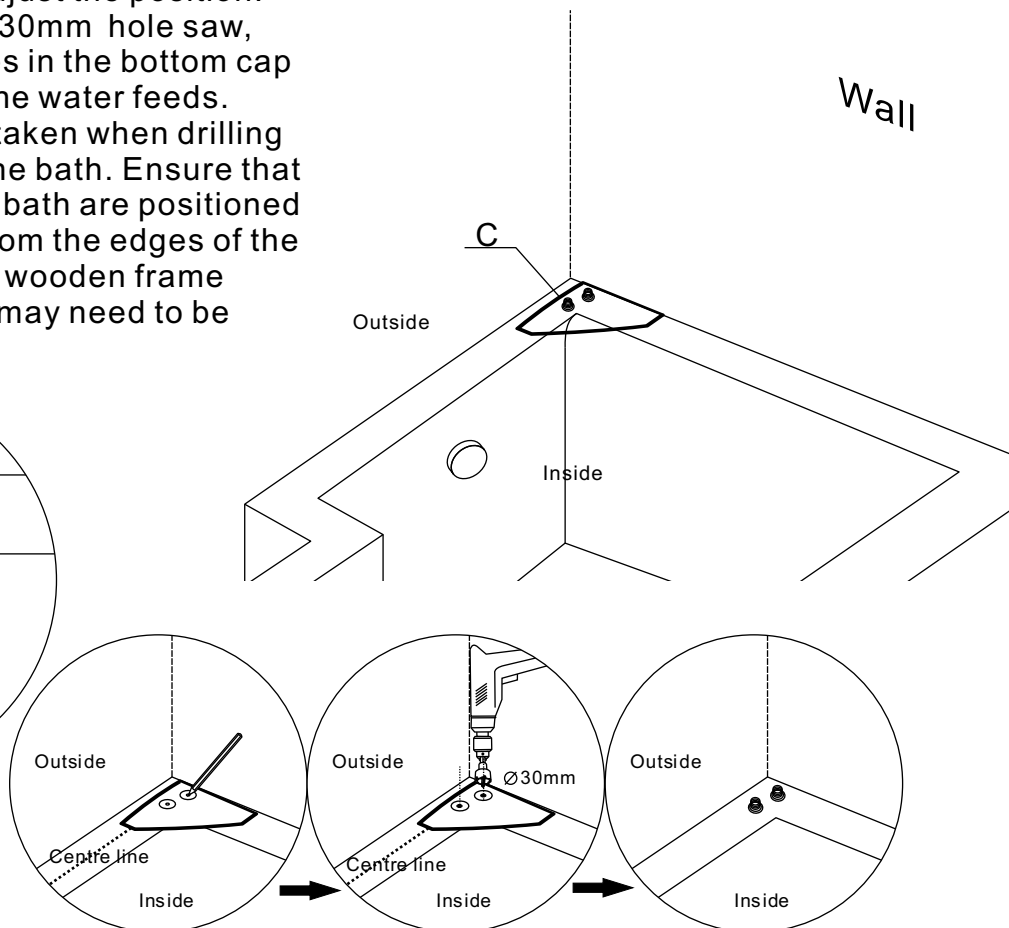
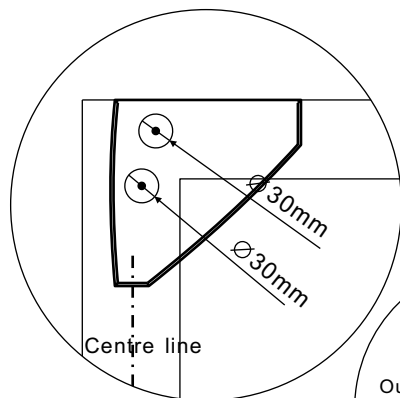
Water feeds through the bath

Remove the bottom cover caps (C) from the shower column(A).

Place the bottom cover cap (C) onto the rim of the bath and adjust the position.

Using a good quality 30mm hole saw, carefully cut two holes in the bottom cap and the bath rim for the water feeds.

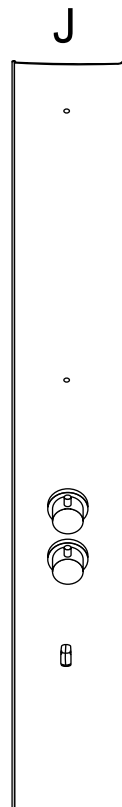
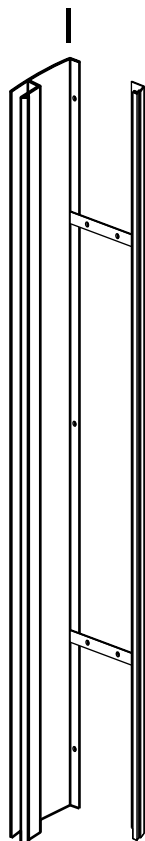
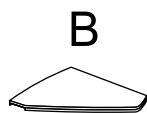
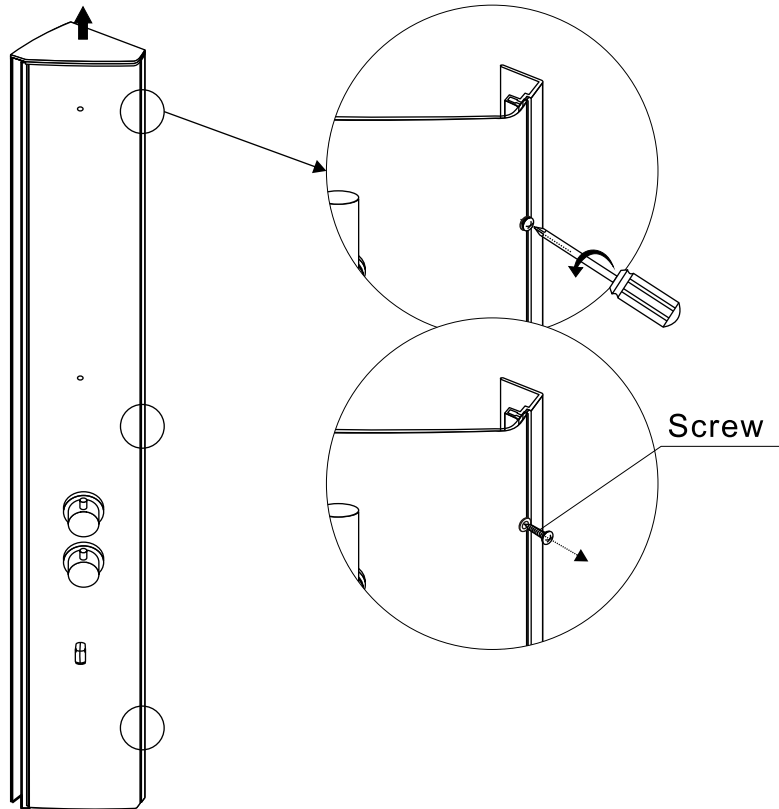
Notes: care must be taken when drilling the bottom cap and the bath. Ensure that the holes cut into the bath are positioned correctly and away from the edges of the bath. A section of the wooden frame underneath the bath may need to be removed.



Assembly Instructions

SHOWER COLUMN AND L SHAPED BATH SCREEN

Remove the top cover caps (B) from the shower column (A)
Using a screwdriver, remove the screws from the side of the shower column (A).
Carefully remove the front panel from the shower column (A).



Assembly Instructions

SHOWER COLUMN AND L SHAPED BATH SCREEN

Replace the bottom cover cap (C) on the underside of the shower column (I)

Place the shower column onto the bath. Adjust the position of the shower column on the bath so that the holes cut in the bottom cover cap and the bath line-up

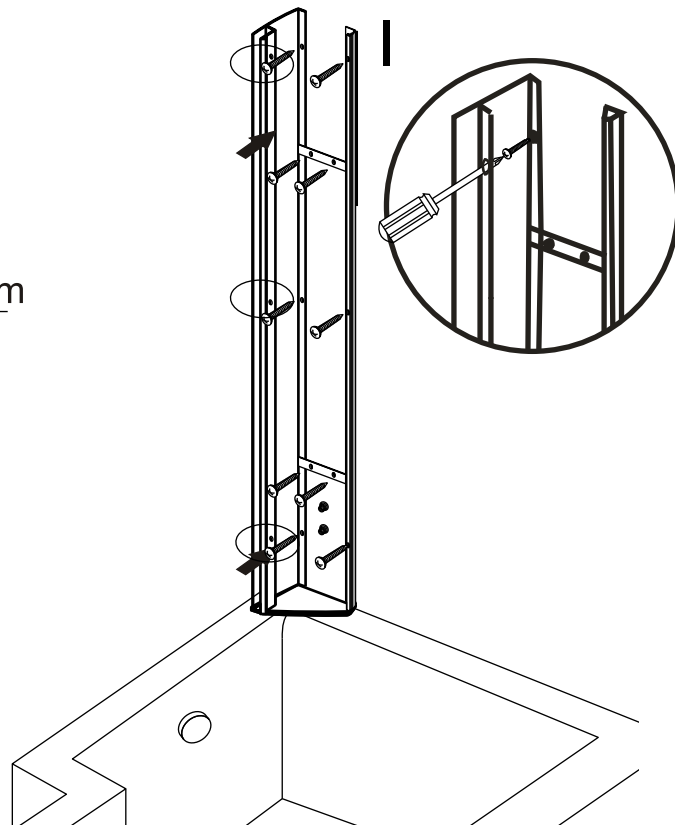
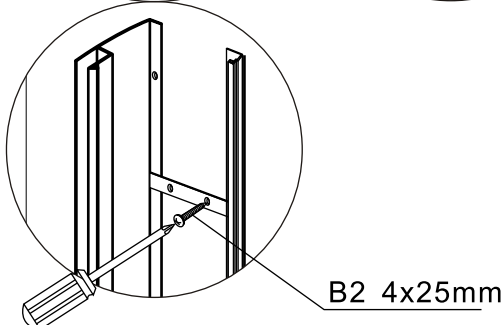
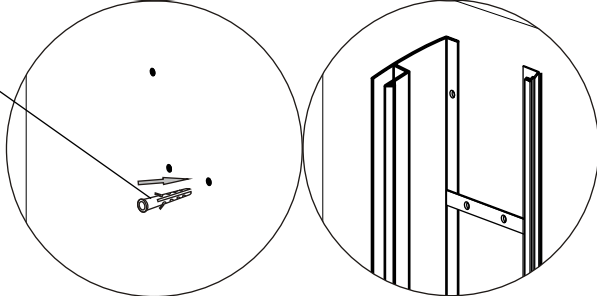
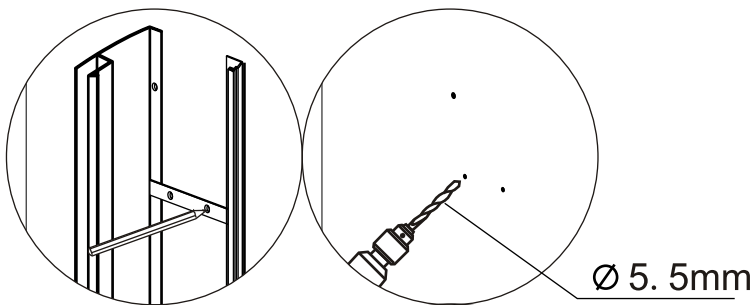
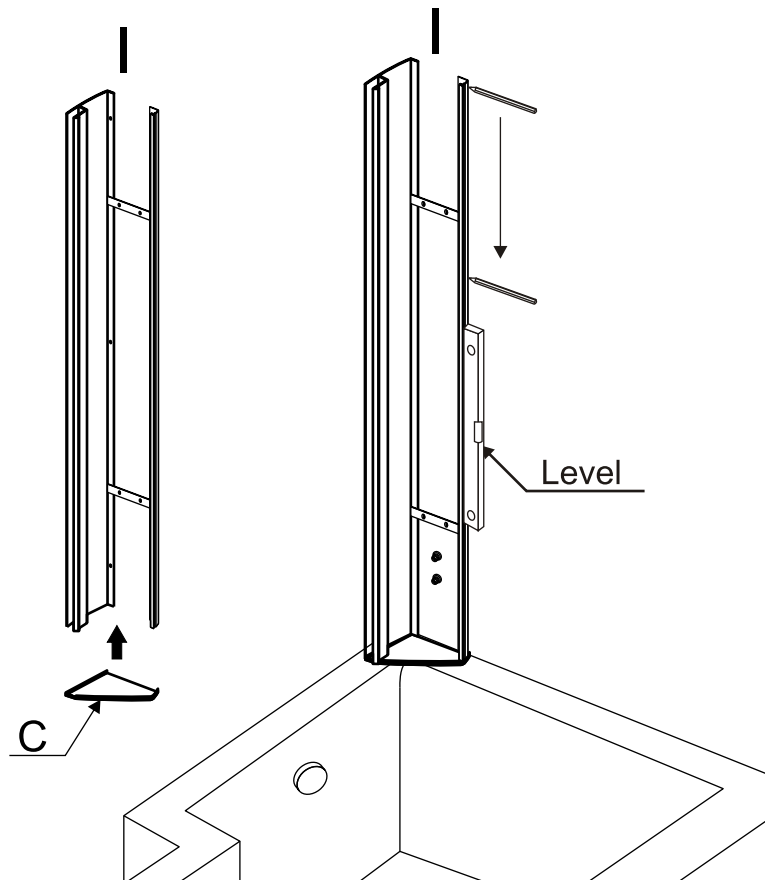
Check that the shower column is vertical using a spirit level

Using a pencil mark the positions of the pre-drilled holes in the back of the shower column onto the wall

Remove the shower column from the bath

Using a 5.5mm drill bit suitable for the wall type, drill the positions marked to a depth of 35 mm.

Using a rubber mallet, insert the wall plugs (A2) into the wall. Place the shower column and bottom cover cap back onto the bath and secure it to the wall using screws (B2)



Assembly Instructions

SHOWER COLUMN AND L SHAPED BATH SCREEN

Insert the horizontal splash seal (H) onto the shower screen (D), cut the seal to the required length using a sharp knife or a pair of scissors. Fit the handle (F) to the screen ensuring that there is a rubber washer either side of the glass. Insert the shower screen (D) into the shower column (I). Adjust the position of the screen so that it is level with the rim of the bath.

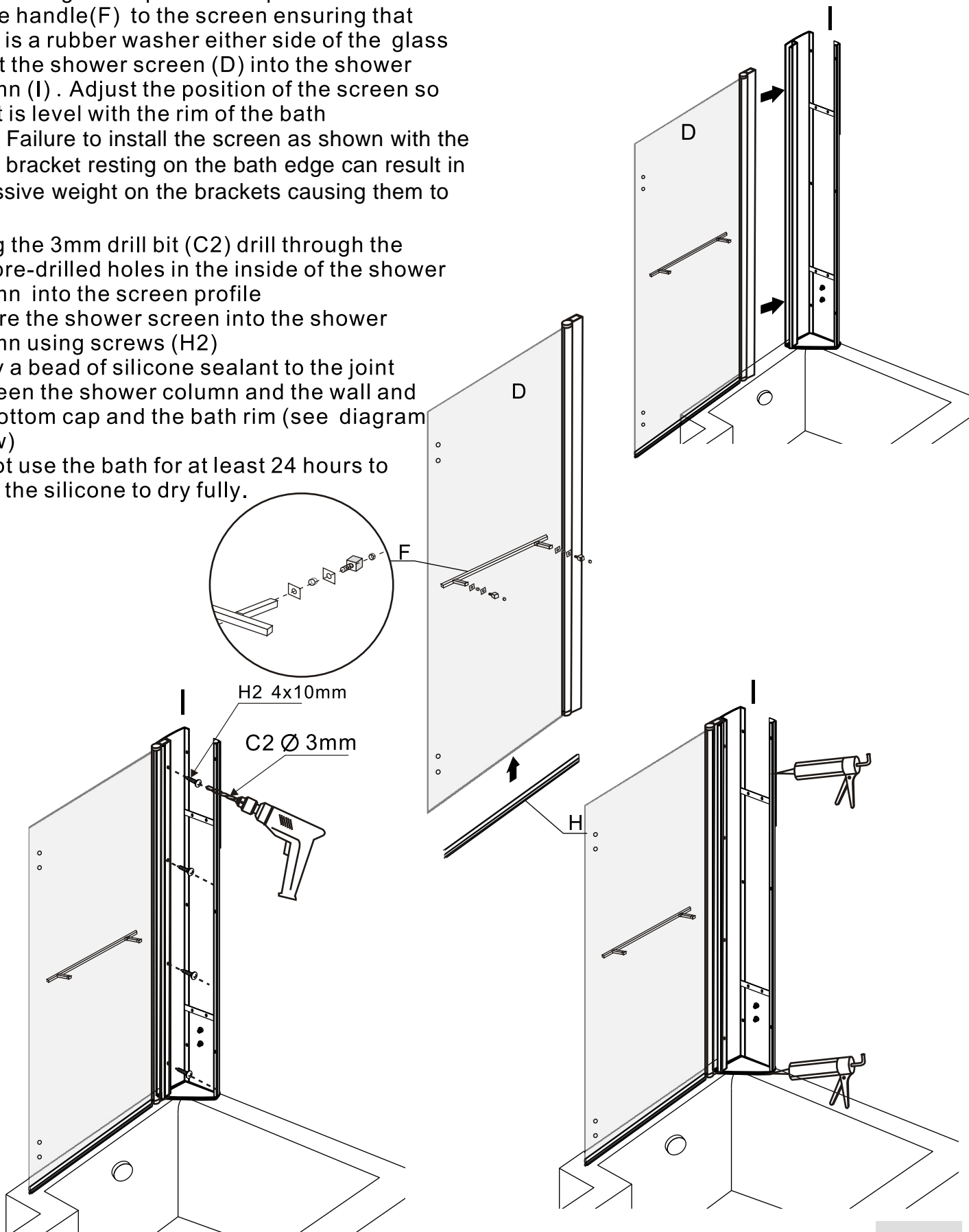
Note: Failure to install the screen as shown with the lower bracket resting on the bath edge can result in excessive weight on the brackets causing them to fail.

Using the 3mm drill bit (C2) drill through the four pre-drilled holes in the inside of the shower column into the screen profile.

Secure the shower screen into the shower column using screws (H2).

Apply a bead of silicone sealant to the joint between the shower column and the wall and the bottom cap and the bath rim (see diagram below).

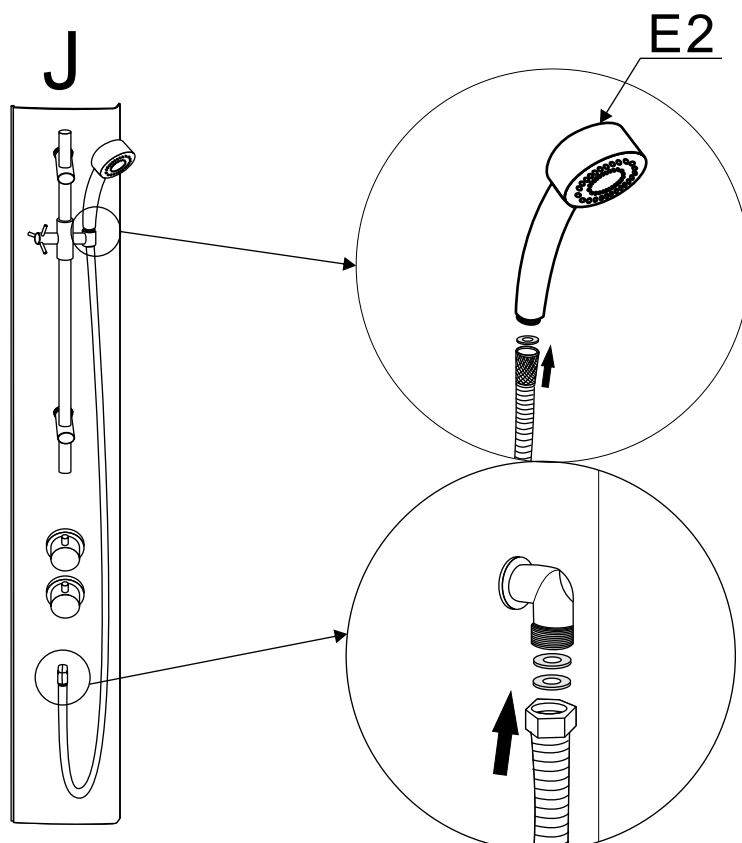
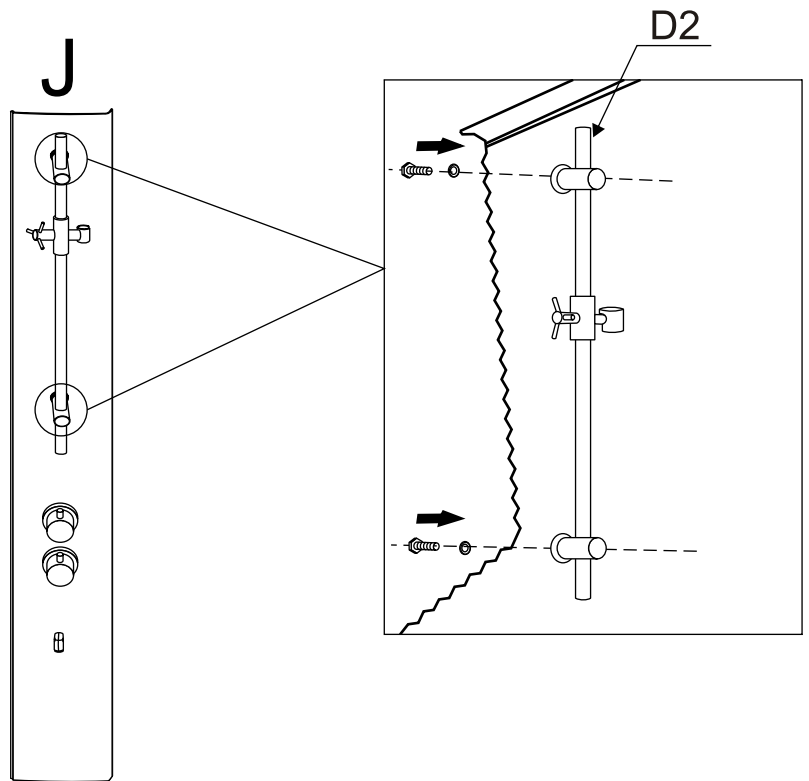
Do not use the bath for at least 24 hours to allow the silicone to dry fully.



Assembly Instructions

SHOWER COLUMN AND L SHAPED BATH SCREEN

Fit the riser rail (D2) to the front panel using the screws and washers supplied. Do not overtighten the screws. Screw the shower handset onto the shower hose ensuring that there is a rubber washer between the two. Screw the other end of the shower hose onto the connection on the front panel. Note that two rubber washers are fitted between the shower hose and the front panel connection.



Assembly Instructions

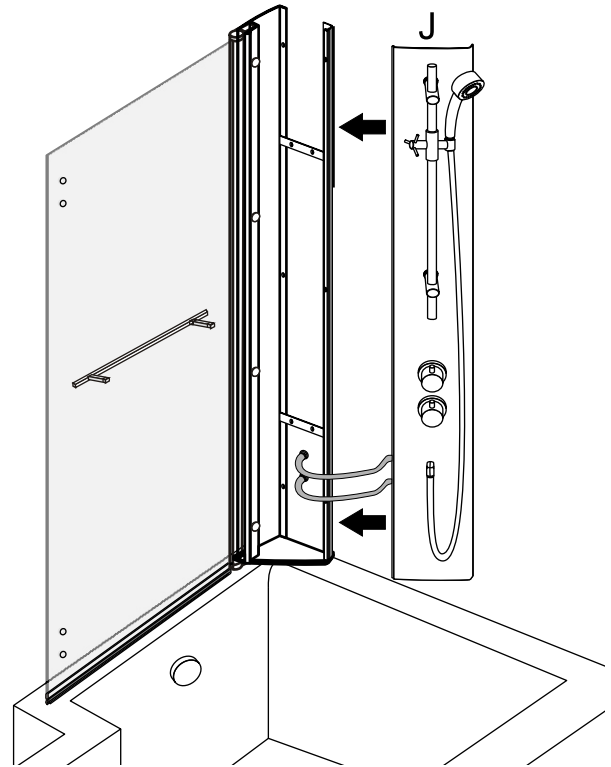
SHOWER COLUMN AND L SHAPED BATH SCREEN

Insert the flexible hoses in the rear of the front panel (J) to the water supplies in the wall or bath

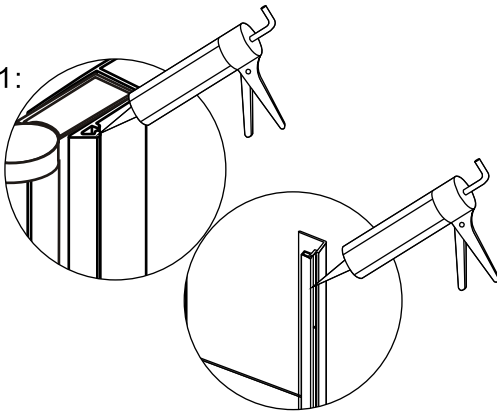
Apply a bead of silicone to the joints in the shower column (see diagram below)

Insert the front panel into the shower column according to the diagrams below

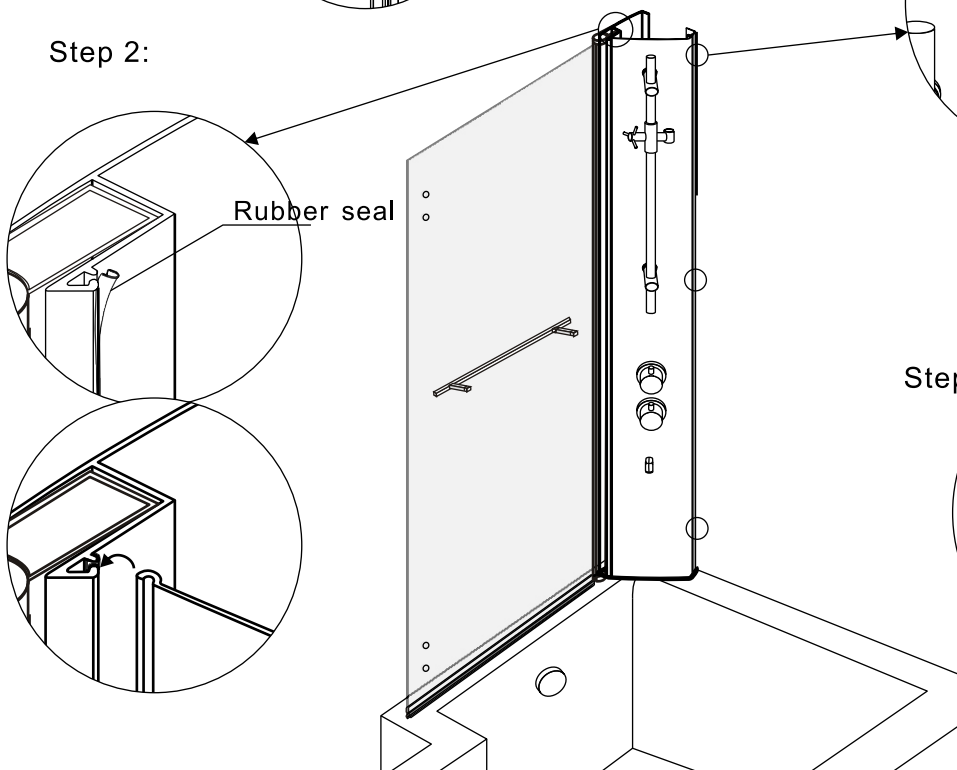
Note: Ensure that the rubber seal is in position as shown in the diagram below before fitting the front panel
Secure the front panel in place using the screws removed earlier, and put the screw caps (F2) on
Place the top cover cap (B) onto the shower column



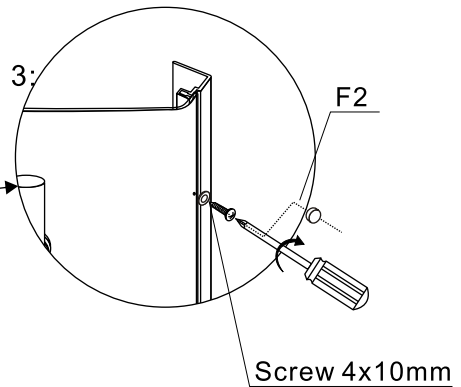
Step 1:



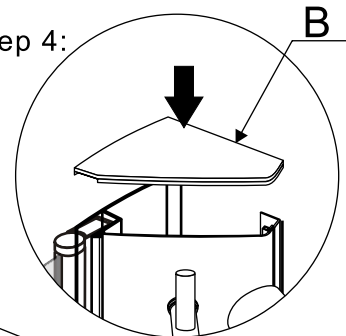
Step 2:



Step 3:



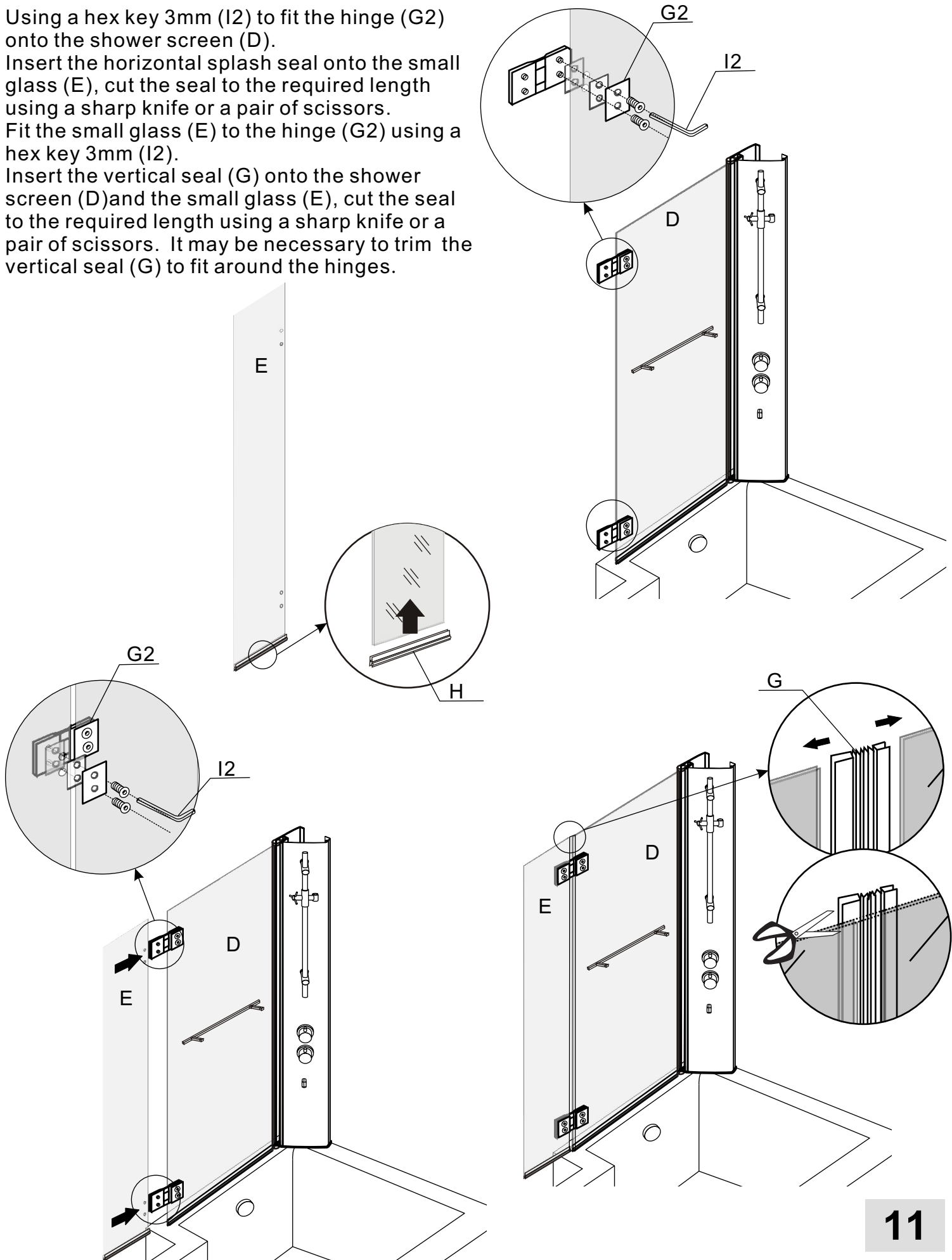
Step 4:



Assembly Instructions

SHOWER COLUMN AND L SHAPED BATH SCREEN

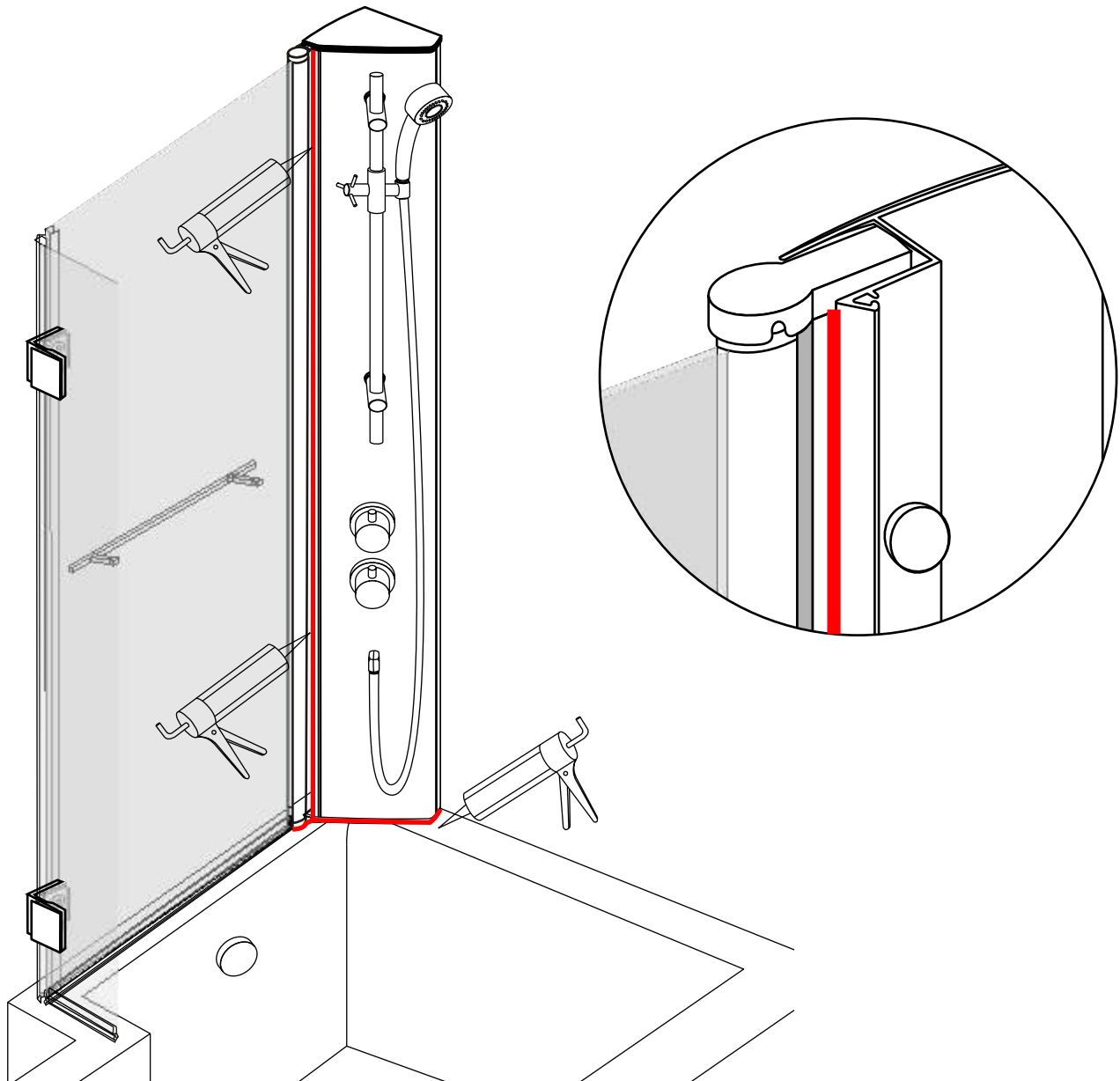
Using a hex key 3mm (I2) to fit the hinge (G2) onto the shower screen (D).
Insert the horizontal splash seal onto the small glass (E), cut the seal to the required length using a sharp knife or a pair of scissors.
Fit the small glass (E) to the hinge (G2) using a hex key 3mm (I2).
Insert the vertical seal (G) onto the shower screen (D) and the small glass (E), cut the seal to the required length using a sharp knife or a pair of scissors. It may be necessary to trim the vertical seal (G) to fit around the hinges.



Assembly Instructions

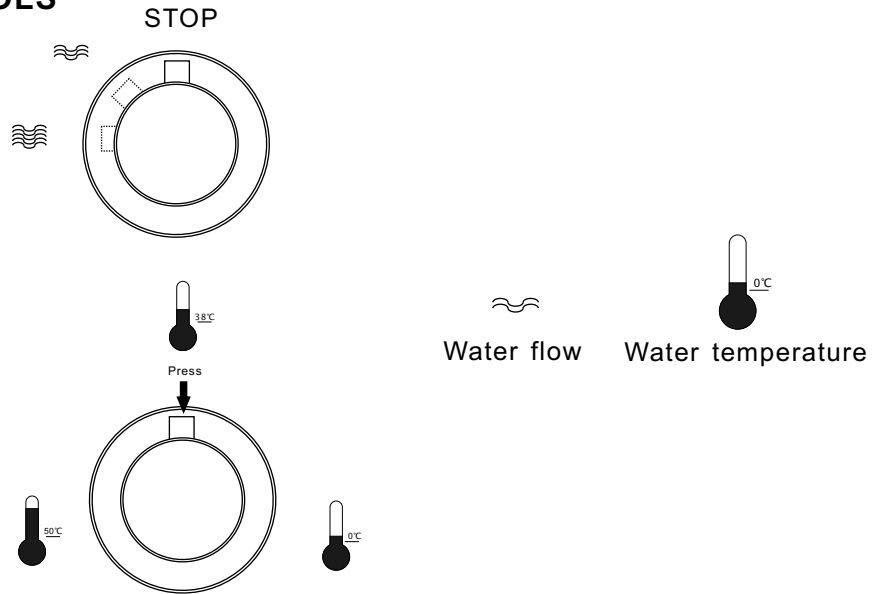
SHOWER COLUMN AND L SHAPED BATH SCREEN

Apply a bead of silicone to the joint between the shower column and screen and bath.
Do not use the screen within 24hours, to allow the silicone to dry.

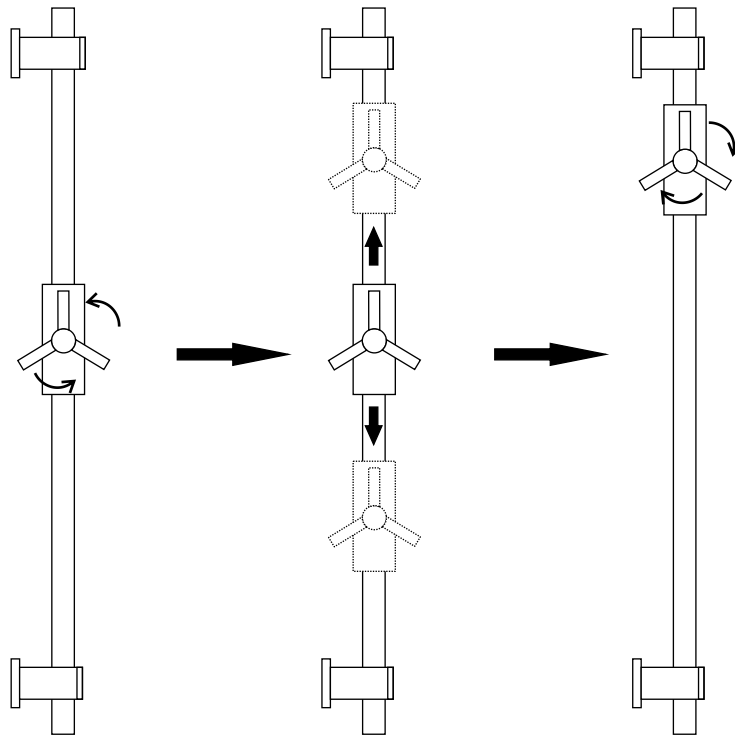


Assembly Instructions SHOWER COLUMN AND L SHAPED BATH SCREEN

MIXER VALVE CONTROLS



RISER RAIL



CARE & USE

- Soapy water is adequate to keep the glass clean, although glass cleaner can be used if required. Scourers, abrasives and chemical cleaners can damage the glass and should not be used.
- In hard water areas, insoluble lime salts may be deposited on the glass. If this is allowed to build up it becomes increasingly difficult to remove and looks unsightly. Regular cleaning will minimize this effect.
- Regularly check moving parts such as rollers and hinges to ensure they are secure and adjusted correctly. Tighten and adjust where required. Also check all sealed joints to ensure seal has not deteriorated. Re-seal if required.
- For further information, please e-mail Customer Services at d2m@pjhgroup.com